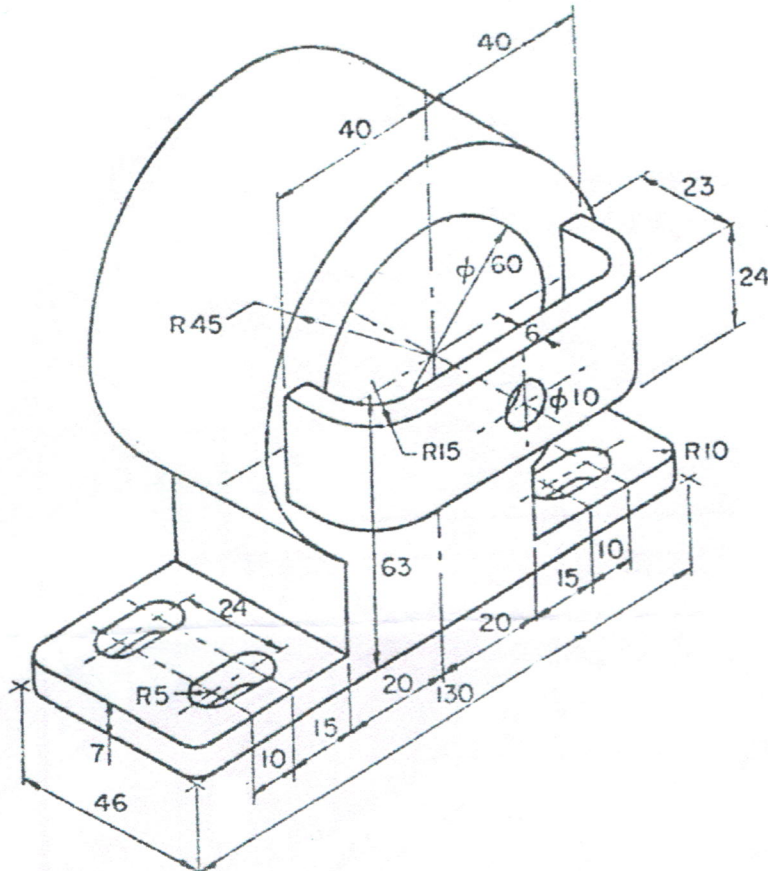




Answer All Questions only

Q/Draw Front view and side sectional for figure (1) with all necessary dimension .



Reyam E. Jadaan

Examiner
Reyam E. Jadaan

Good luck

